



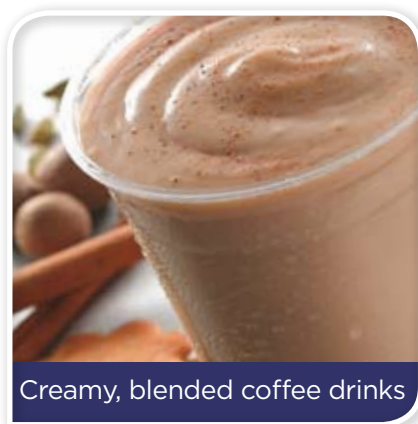
## T&G™ 2 BLENDING STATION®

### Powerful, Noise-Reduced Blending

The T&G 2 Blending Station offers reduced sound and blending time. Quickly and easily lets you offer smoothies, frozen coffees, ice cream drinks and frozen cocktails.

### Smart Product Design

- ≈2 peak output HP motor and sound-reducing cover for superior performance in coffee, smoothie, and ice cream shops
- 34 optimized programs engineered to provide consistent results quickly and easily
- The Advance® container creates faster, smoother pouring without the mess-saving you time and money



Creamy, blended coffee drinks

## Product Specifications

### T&G™ 2 Blending Station®

On-Counter: Item No. 42009 / In-Counter: Item No. 44004

Motor: ≈2 peak output horsepower motor

Electrical: 220-240 V, 50/60 Hz, 1075-1200 W

Pack: Includes T&G 2 Blending Station with 0,9 L high-impact, clear/stackable Advance® container, complete with blade assembly and lid, and removeable compact cover\*.

Net Weight: 7,7 kg (8,6 kg with box)

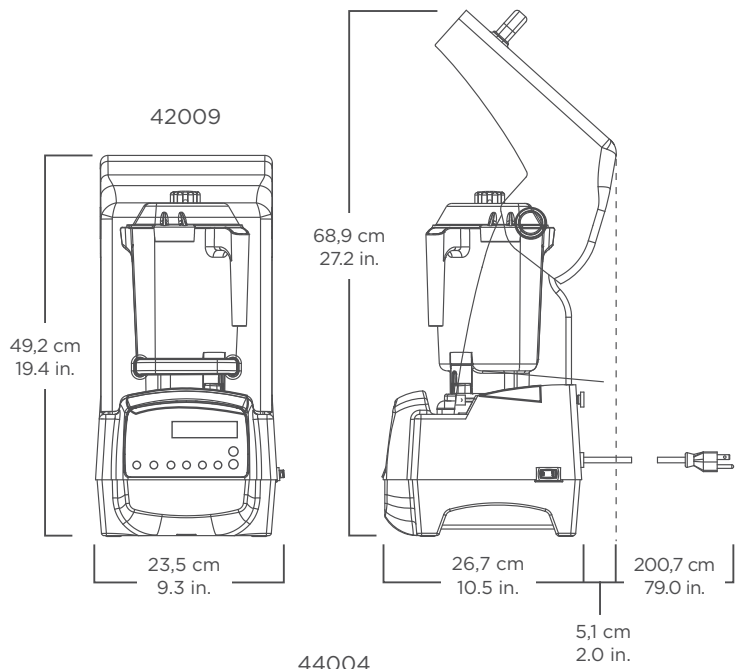
Dimensions:

On-Counter: 49,2 x 23,5 x 26,7 cm (H x W x D)  
Height with lid open: 68,9 cm

In-Counter: 38,1 x 22,9 x 26,7 cm (H x W x D)  
Height with lid open: 57,2 cm  
Depth below counter: 14,5 cm

\* Standard 2,0 L container cannot be used with the compact cover.

Warranty: Please contact your authorized Vitamix distributor for warranty information.



### Also Available

T&G 2 Blending Station On-Counter with Advance Container

Item No. 34201: 120 V (EMC), 50/60 Hz, 11,5 A

Item No. 46002: 100 V, 50/60 Hz, 900 W

T&G 2 Blending Station In-Counter

Item No. 48001: 100 V, 50/60 Hz, 900 W

Additional containers, complete with blade assembly and lid.

Item No. 15981: Advance container 0,9 L

Item No. 15506: standard container 1,4 L

Item No. 15640: compact container 0,9 L

For more information, please contact an authorized Vitamix distributor, or Vitamix international customer service.



### Contact Information

U.S.A., Canada & Latin America:

Tel: 800.4DRINK4 or  
440.235.0214

E-mail: [foodservice@vitamix.com](mailto:foodservice@vitamix.com)

[www.vitamix.com/foodservice](http://www.vitamix.com/foodservice)

Vita-Mix Corporation  
8615 Usher Road  
Cleveland, OH 44138-2103 U.S.A.

Outside of U.S.A., Canada & Latin America:

Tel: +1.440.782.2450

E-mail: [international@vitamix.com](mailto:international@vitamix.com)

For more information, contact your local foodservice distributor.